

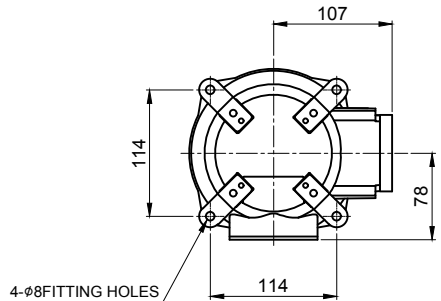
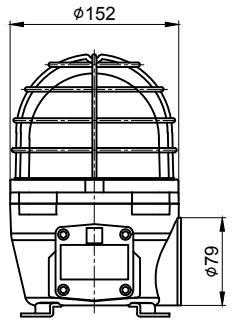
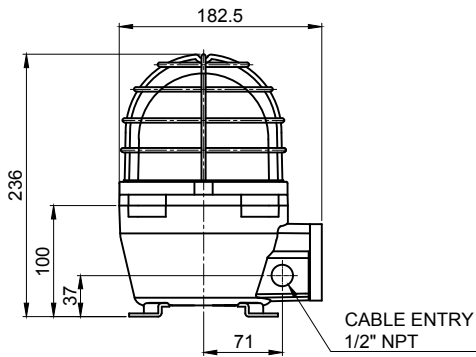
1 2 3 4 5 6

A

B

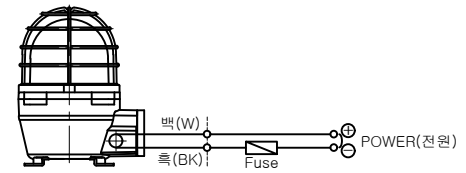
C

D



MARK	DATE	REVISION	REVISER	APP_BY
①				
②				
③				

MODEL NO		QEAL1		
MATERIAL		HOUSING-AL LENS-TEMPERED CLASS PROTECTION CAGE-SUS		
LIGHT SOURCE		LOW INTENSITY B TYPE		
LIGHT COLOR		RED		
USE VOLT.	LED	CURRENT	DC12V	Max. 0.870A
			DC24V	Max. 0.310A
	AC110V		Max. 0.170A	
	AC220V			
LUMINOUS INTENSITY		42 ± 2cd		
PROTECTION GRADE		WATER & DUST PROOF IP66		
CABLE ENTRY		1/2" NPT		
COLOR OF HOUSING		MAKER STANDARD		
ACTION		LED STEADY LIGHT		



ELECTRICAL CONNECTION DIAGRAM

Nr.	DWG. NO.	TITLE/ NAME	MAT'L	QTY	REFERENCE
DSND BY	CHKD BY	CHKD BY	APRV BY	VIEW	DATE
S.H.KIM	J.H.PARK		J.K.HAN	3	2016.08.30
TITLE			MODEL		
QEAL1 OUTLINE DRAWING			QEAL1		
DWG. NO.			SCALE		
QEAL1_OUT			N/S		
SIZE	REV	SHEET			
A4	00	1/1			

1 2 3 4 5 6

A4(297X210)

