

1 2 3 4 5 6

A

B

C

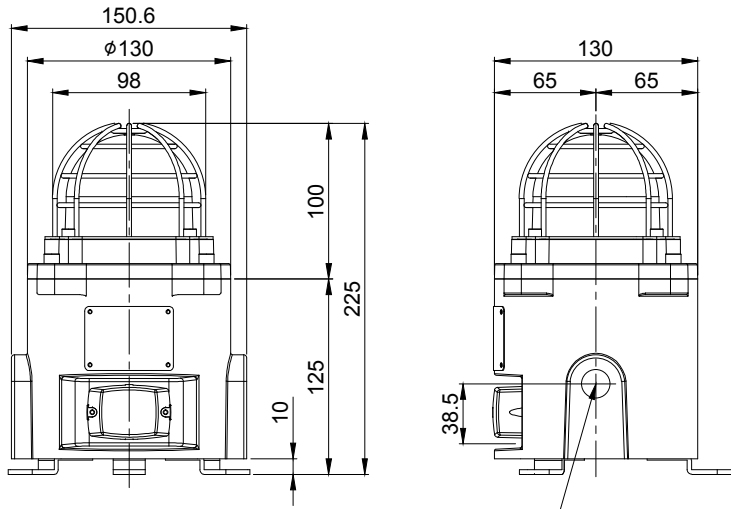
D

A

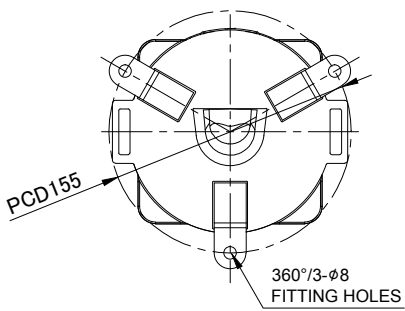
B

C

D



CABLE ENTRY 1/2" NPT



MARK	DATE	REVISION	REVISER	APP .BY
①				
②				
③				

MODEL NO		QNES			
MATERIAL		HOUSING-AL LENS-TEMPERED GLASS PROTECTION CAGE-SUS316			
COLOR OF LENS		RED(), AMBER(), GREEN(), BLUE()			
FLASHING PER MIN.		FLASHING - 60~80 LED STROBE - 70~80 LED ROTATE - 60~80			
USE VOLT.	LED	CURRENT	DC12~24V AC110~230V	0.2W	MAX. 1.872A MAX. 0.301A
VOLUME		MAX. 110dB			
PROTECTION GRADE		WATER & DUST PROOF IP66			
CABLE ENTRY		1/2" NPT			
COLOR OF HOUSING		RED			
ACTION		LED STEADY / FLASHING / STROBE / ROTATE			

FOR LINEAR DIMENSIONS	ISO2768-1 : CLASS OF TOLERANCE				
	f	m	(C)	v	
0.5~3	±0.05	±0.1	±0.2	-	
3~6			±0.3	±0.5	
6~30	±0.1	±0.2	±0.5	±1	
30~120	±0.15	±0.3	±0.8	±1.5	
120~400	±0.2	±0.5	±1.2	±2.5	
400~1000	±0.3	±0.8	±2	±4	
FOR ANGULAR DIMENSIONS	0~10	±1°	±1°30'	±3°	
	10~50	±0°30'	±1°	±2°	
	50~120	±0°20'	±0°30'	±1°	
	120~400	±0°10'	±0°13'	±0°30'	

Nr.	DWG. NO.	TITLE/ NAME	MAT'L	QTY	REFERENCE
DSND BY	CHKD BY	CHKD BY	APRV BY	VIEW	DATE
Y.H.JOO			J.K.HAN	3	2019.03.20
TITLE			MODEL		
QNES OUTLINE DRAWING			QNES		
DWG. NO.			QNES_OUT		
SCALE	SIZE	REV	SHEET		
N/S	A4	00	1/1		



1 2 3 4 5 6

A4(297X210)