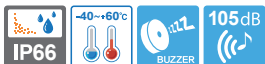


SNES series

Ø130mm Explosion Proof Warning/ Signal Lights with Siren Buzzer



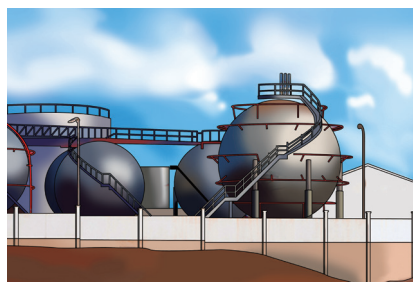
Siren buzzer sound output of Max 105dB



SNESLR



SNESL



Flameproof warning/ signal lights applied in an areas where potentially explosive materials may linger as shown in the refinery image above.

Common Specifications(SNESLR/ SNESL/ SNES-S/ SNES)

- Light weight and compact explosion proof warning lights with a siren buzzer
- A variety of light source selections from bulb, LED, and xenon lamp
- Aluminum housing provides excellent durability
- Fully enclosed structure with protection rating of IP66
- Integrated housing and terminal box model
- Sound type and sound volume : Siren buzzer- Max 105dB at 1m
- Housing standard color : MUNSSELL No. 7.5BG 7/2
- Cable entry : 1/2" NPT
- Materials : Lens-Tempered glass, Inner lens-PC, housing-Al, Protection cage-STSS 316L, Reflector for LED type-PC/ Reflector for bulb type-Heat resistant ABS
- Certificates : IECEx, ATEX, NEPSI, KIMM, KOSHA, CCS, CCC(F)
- Protection rating :
 - IECEx - Ex d IIC T6 Gb, IP66
 - ATEX - Ex d IIC T6, IP66
 - KOSHA - Ex d IIB+H2 T6
 - NEPSI, KIMM - Ex d IIC T6, IP66
- Ambient operating temperature : $-40^{\circ}\text{C} \leq T_{\text{amb}} \leq +60^{\circ}\text{C}$

SNESLR LED Revolving Warning Light with Siren Buzzer

- Excellent omni-directional visibility with LED light collecting system and special multifaceted reflector
- Revolving speed : 120-140RPM

| Model number | Voltage | Current | Sound pattern/ dB | Certificates | Weight | Color |
|--------------|---------|---------|------------------------------------|--------------|--------|---|
| SNESLR | DC12V | 0.485A | • Warning sound(Buzzer) : 105dB | | 3.60kg | • R-Red • A-Amber • G-Green • B-Blue |
| | DC24V | 0.411A | | | 3.60kg | |
| | AC110V | 0.111A | | | 4.30kg | |
| | AC220V | 0.055A | | | 4.30kg | |

SNESL LED Steady/ Flashing Signal Light with Siren Buzzer

- Long-lasting high intensity LED light source
- Suitable for applications where bulb replacement is hard
- Built in switch for steady/flashing selection
- Flashing rate : 60-80 flashes/min

| Model number | Voltage | Current | Sound pattern/ dB | Certificates | Weight | Color |
|--------------|---------|---------|------------------------------------|--------------|--------|---|
| SNESL | DC12V | 0.432A | • Warning sound(Buzzer) : 105dB | | 3.65kg | • R-Red • A-Amber • G-Green • B-Blue |
| | DC24V | 0.377A | | | 3.65kg | |
| | AC110V | 0.111A | | | 4.30kg | |
| | AC220V | 0.055A | | | 4.30kg | |

Customization

- Explosion proof cable gland attached type available (Standard type does not come with explosion proof cable gland)
- Customized 2 way cable entries
- Customized cable entry (M20×1.5) available
- ATEX certified type
- IECEx certified type



Warning/Signal/Stackable



Signal & Electric Horn/Speakers



Vessels and Heavy-Duty Equipment



Explosion Proof



Warning Light Bar



Aviation Obstruction Lights



Signal Tower Lights



USB/ETN Signal Tower Lights



Wireless Network System



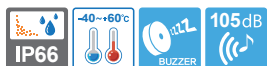
Electric Horn/Speakers



Industrial LED Lights

SNES series

Ø130mm Explosion Proof Warning/ Signal Lights with Siren Buzzer



Siren buzzer sound output of Max 105dB



SNES-S

SNES-S Xenon Strobe Signal Light with Siren Buzzer

- Lamp connector fastening structure allows for convenient lamp replacement
- Excellent long-distance visibility with strong flashing signal diffusion
- Flashing rate : 60-80 flashes/min

| Model number | Voltage | Current | Bulb | | | Sound pattern/dB | Certificates | Weight | Color |
|--------------|---------|---------|---------------|-----------------------------|----------|----------------------------------|--------------|--------|-----------|
| | | | Spec | Standard | Parts no | | | | |
| SNES-S | DC12V | 0.655A | 200V -550V | EUB0641 -1A(G) U Type | 48 | • Warning sounds(Buzzer) : 105dB | | 3.60kg | • R-Red |
| | DC24V | 0.500A | | | | | | 3.60kg | • A-Amber |
| | AC110V | 0.104A | | | | | | 4.25kg | • G-Green |
| | AC220V | 0.066A | | | | | | 4.25kg | • B-Blue |

SNES Bulb Revolving Warning Light

- Excellent signal light diffusion effect with multi-faced reflector
- Revolving speed : 120-140RPM

| Model number | Voltage | Current | Bulb | | | Sound pattern/dB | Certificates | Weight | Color |
|--------------|---------|---------|--------|----------|----------|----------------------------------|--------------|--------|-----------|
| | | | Spec | Standard | Parts no | | | | |
| SNES | DC12V | 1.766A | 12V15W | G23 15S | 17 | • Warning sounds(Buzzer) : 105dB | | 3.70kg | • R-Red |
| | DC24V | 1.044A | 24V15W | G23 15S | 18 | | | 3.70kg | • A-Amber |
| | AC110V | 0.288A | 12V15W | G23 15S | 17 | | | 4.40kg | • G-Green |
| | AC220V | 0.144A | 12V15W | G23 15S | 17 | | | 4.40kg | • B-Blue |

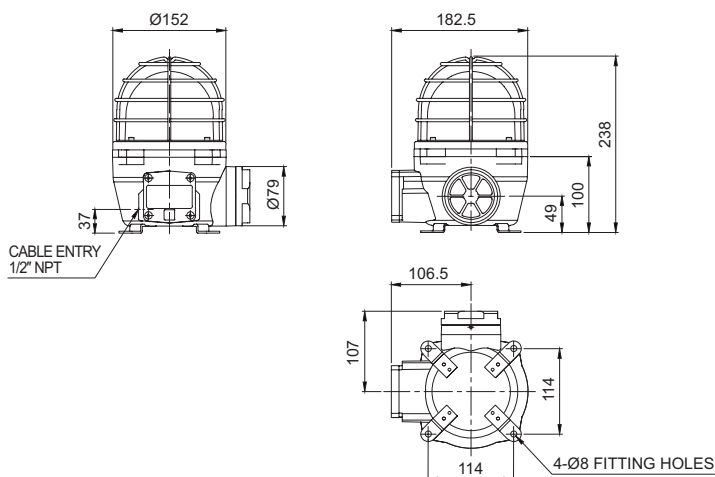
Technical Diagram

(Units : mm)



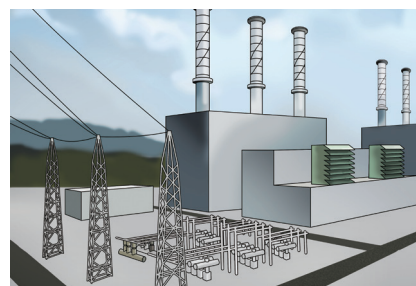
SNES

SNESLR/ SNESL/ SNES-S/ SNES



Ordering Specification

| SNES | - | 220 | - | R |
|---|---|--|---|---|
| [Model number] | | [Voltage] | | [Color] |
| <ul style="list-style-type: none"> • SNESLR • SNESL • SNES-S • SNES | | <ul style="list-style-type: none"> • 12-DC12V • 24-DC24V • 110-AC110V • 220-AC220V | | <ul style="list-style-type: none"> • R-Red • A-Amber • G-Green • B-Blue |



Flameproof warning/ signal lights applied in dust explosion areas such as coal dust shown in thermoelectric power plant image above.