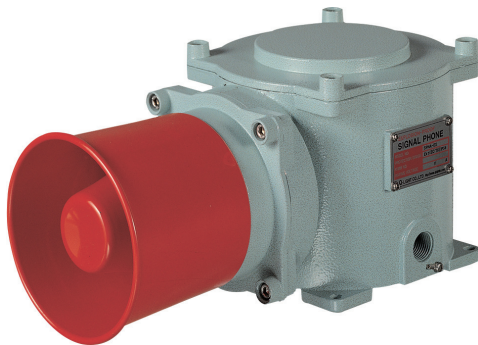


# SPNA

## Explosion Proof Electric Horn

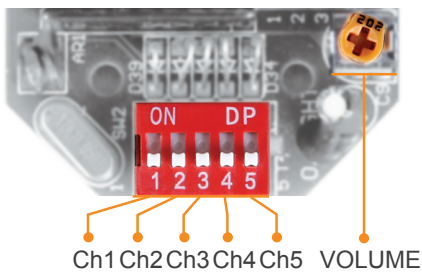


SPNA



### Sound Selection Instructions and Wiring

- Standard type : Select using the switch inside of the unit.  
When you turn on the dip switch for each channel, designated sound is being played.



Ch1 Ch2 Ch3 Ch4 Ch5 VOLUME

- Customization : External contact(LC)
- In case of select sound between external contact and transistors, sound line is threading as customization when product released(LC).

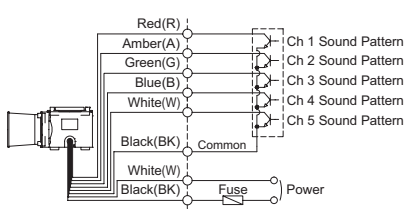
#### SPNA-DC/AC

##### EXTERNAL CONTACT



#### SPNA-DC/AC

##### EXTERNAL TRANSISTOR-NPN



## SPNA Max 118dB Explosion Proof Electric Horn

- Explosion proof electric horn
- Various sound tones can be selected ; warning sound, alarm, melody
- Aluminum housing provides excellent durability
- Equipped terminal box for power line wiring in housing
- Sound volume : Max 118dB at 1m(Volume adjustable)
- Standard housing color : MUNSELL No. 7.5BG 7/2
- Cable entry : 1/2" NPT
- Materials : Housing-Al, Protection cage-SUS316L
- Certificates : IECEx, ATEX, NEPSI, KIMM, KOSHA, ABS, CCS, KR
- Protection rating :
  - IECEx - Ex d IIC T6 Gb, IP66
  - ATEX - Ex II 2G Ex d IIC T6, IP66
  - NEPSI, KIMM, KOSHA - Ex d IIC T6, IP66
- Ambient operating temperature :  $-40^{\circ}\text{C} \leq T_{\text{amb}} \leq +60^{\circ}\text{C}$



### Specifications

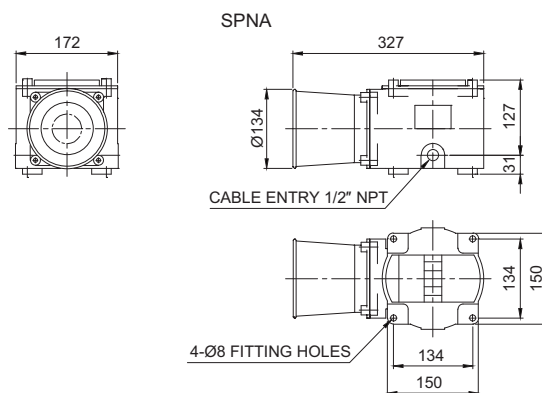
Model number	Voltage	Current	Sound Pattern and Volume	Certificate	Weight
SPNA	DC12V	2.211A	<ul style="list-style-type: none"> <li>WS-5 Warning sounds : 118dB</li> <li>WP-5 Special warning sounds : 118dB</li> <li>WM-5 Melodies : 118dB</li> <li>WA-5 Alarms : 115dB</li> <li>WV-5 Customizable voices : 113dB</li> </ul>	IECEx, ATEX, NEPSI, KIMM, KOSHA, ABS, CCS, KR	6.09kg
	DC24V	1.022A		6.09kg	
	AC110V	0.226A		6.44kg	
	AC220V	0.113A		6.44kg	

\* Please refer to page 22 for detailed information about selectable sound patterns.



### Technical Diagram

(Units : mm)



### Customization

- Built-in explosion proof cable gland type
- 2 way cable entries
- Customized cable entry (3/4" NPT, M20×1.5, M25×1.5) available
- ATEX compliant products
- IECEx compliant products



### Ordering Specification

SPNA	WM	220	LC
[Model number]	[Sound]	[Voltage]	[Sound selection]
<ul style="list-style-type: none"> <li>SPNA</li> </ul>	<ul style="list-style-type: none"> <li>WS-Warning sounds</li> <li>WP-Special warning sounds</li> <li>WM-Melodies</li> <li>WA-Alarms</li> <li>WV-Customizable sounds</li> </ul>	<ul style="list-style-type: none"> <li>12-DC12V</li> <li>24-DC24V</li> <li>110-AC110V</li> <li>220-AC220V</li> </ul>	<ul style="list-style-type: none"> <li>Standard</li> <li>Built-in switch</li> <li>LC</li> <li>External contact</li> </ul>