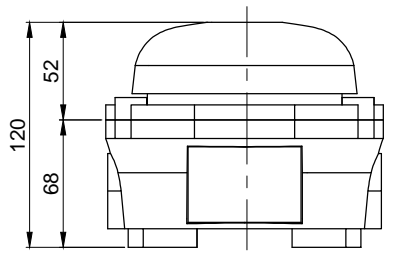
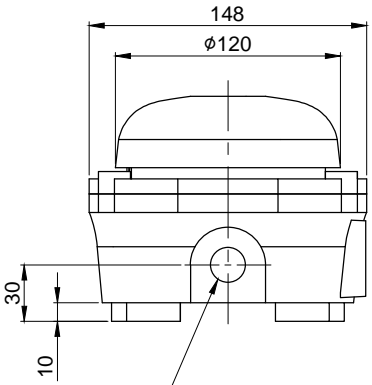


1 2 3 4 5 6

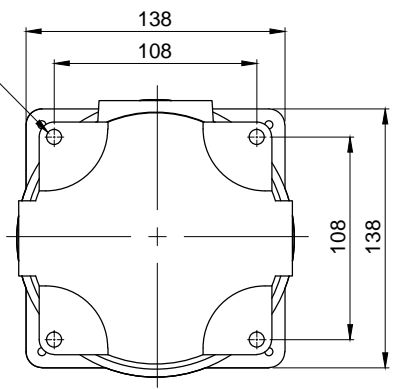
A

A



CABLE ENTRY 1/2" NPT

4-φ8 FITTING HOLES



MARK	DATE	REVISION	REVISER	APP .BY
①				
②				
③				

MODEL NO	SBE130		
MATERIAL	HOUSING-AL BELL HOUSING-AL		
USE VOLT.	CURRENT	DC24V	MAX. 0.044A
		AC110V	MAX. 0.044A
		AC220V	MAX. 0.022A
VOLUME	MAX. 95dB at 1m		
PROTECTION GRADE	WATER & DUST PROOF IP56		
CABLE ENTRY	1/2" NPT		
COLOR OF HOUSING	MUNSELL NO. 7.5BG 7/2		
ACTION	INTERNAL PEASURE ALARM BELL		

B

B

C

C

D

D

	ISO2768-1 : CLASS OF TOLERANCE					SURFACE FINISH
	f	m	Ⓢ	v		
FOR LINEAR DIMENSIONS	0.5-3	±0.05	±0.1	±0.2	-	
	3-6			±0.3	±0.5	
	6-30	±0.1	±0.2	±0.5	±1	
	30-120	±0.15	±0.3	±0.8	±1.5	
	120-400	±0.2	±0.5	±1.2	±2.5	
400-1000	±0.3	±0.8	±2	±4		
FOR ANGULAR DIMENSIONS	0-10	±1°		±1°30'	±3°	
	10-50	±0°30'		±1°	±2°	
	50-120	±0°20'		±0°30'	±1°	
	120-400	±0°10'		±0°13'	±0°30'	

Nr.	DWG. NO.	TITLE/ NAME		MAT'L	QTY	REFERENCE
DSND BY	CHKD BY	CHKD BY	APRV BY	VIEW	DATE	
S.H.KIM	J.H.PARK		J.K.HAN	3	2016.08.30	
TITLE			MODEL			
SBE130 OUTLINE DRAWING			SBE130			
			DWG. NO.	SBE130_OUT		
			SCALE	SIZE	REV	SHEET
			N/S	A4	00	1/1

1 2 3 4 5 6

A4(297X210)