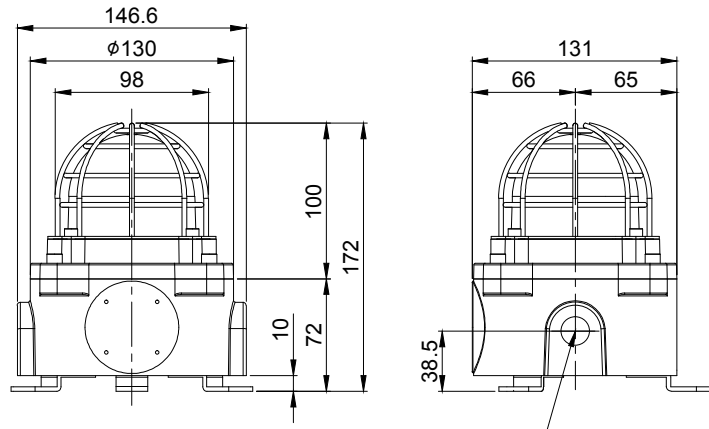


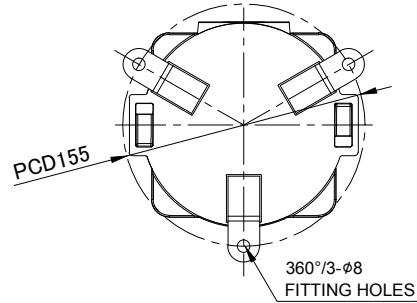
1 2 3 4 5 6

A

A



CABLE ENTRY 1/2" NPT



MARK	DATE	REVISION	REVISER	APP .BY
①				
②				
③				

MODEL NO		QNE			
MATERIAL		HOUSING-AL LENS-TEMPERED GLASS PROTECTION CAGE-SUS316			
COLOR OF LENS		RED( ), AMBER( ), GREEN( ), BLUE( )			
FLASHING PER MIN.		FLASHING - 60~80 LED STROBE - 70~80 LED ROTATE - 60~80			
USE VOLT.	LED	CURRENT	0.2W	MAX. 0.558A	
				MAX. 0.136A	
PROTECTION GRADE		WATER & DUST PROOF IP66			
CABLE ENTRY		1/2" NPT			
COLOR OF HOUSING		RED			
ACTION		LED STEADY / FLASHING / STROBE / ROTATE			

B

B

C

C

D

D

FOR LINEAR DIMENSIONS	ISO2768-1 : CLASS OF TOLERANCE					SURFACE FINISH
	f	m	Ⓢ	v		
0.5~3	±0.05	±0.1	±0.2	-		
3~6			±0.3	±0.5		
6~30	±0.1	±0.2	±0.5	±1		
30~120	±0.15	±0.3	±0.8	±1.5		
120~400	±0.2	±0.5	±1.2	±2.5		
400~1000	±0.3	±0.8	±2	±4		
FOR ANGULAR DIMENSIONS	0~10	±1°	±1°30'	±3°		
	10~50	±0°30'	±1°	±2°		
	50~120	±0°20'	±0°30'	±1°		
	120~400	±0°10'	±0°13'	±0°30'		

Nr.	DWG. NO.	TITLE/ NAME		MAT'L	QTY	REFERENCE
DSND BY	CHKD BY	CHKD BY	APRV BY	VIEW	DATE	
Y.H.JOO			J.K.HAN	3	2019.03.20	
TITLE			MODEL	QNE		
QNE OUTLINE DRAWING			DWG. NO.	QNE_OUT		
SCALE		SIZE	REV	SHEET		
N/S		A4	00	1/1		

1 2 3 4 5 6

A4(297X210)